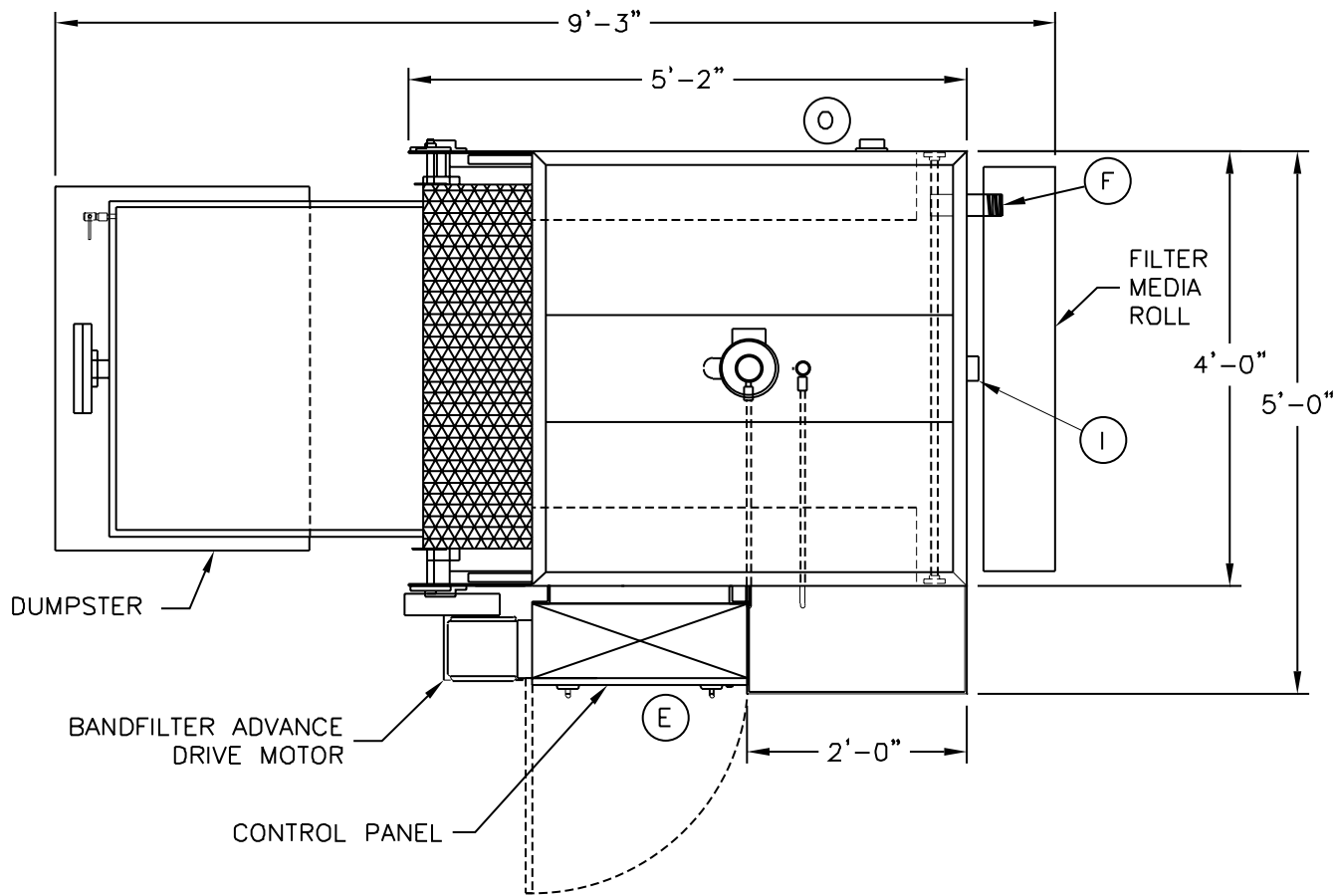


SERVICE REQUIREMENTS

- ⓔ 115 VAC, 30 AMP, GROUNDED, SINGLE PHASE POWER
- ⓕ 2" MNPT DISCHARGE TO SEWER CONNECTION
- ⓓ 2" FNPT INFLUENT WATER CONNECTION
- ⓐ 2" FNPT TREATMENT TANK OVERFLOW CONNECTION



# TT-200

LAYOUT DRAWING