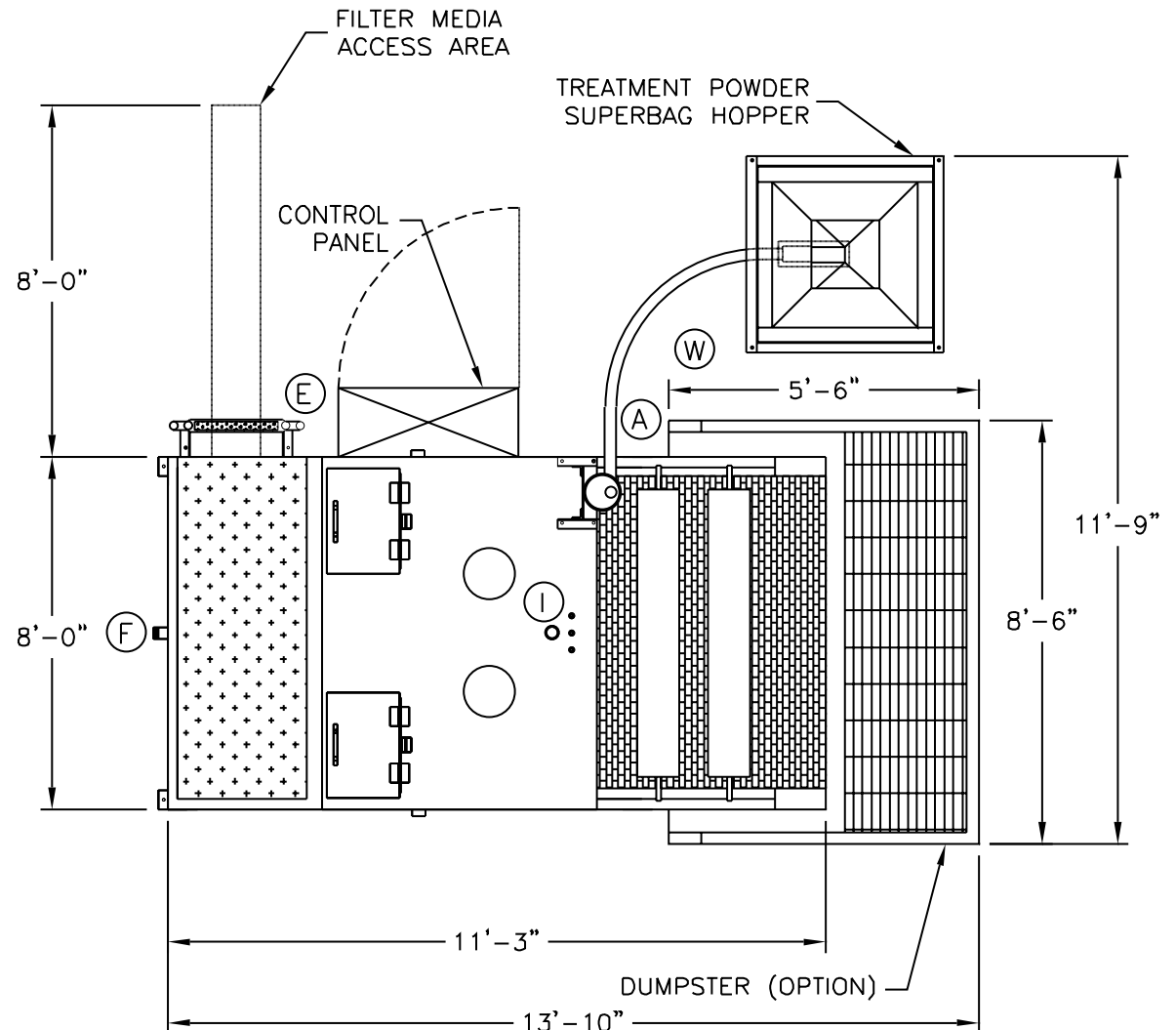


SERVICE REQUIREMENTS

- (E) 480 VAC, 60 AMP, GROUNDED, 3 PHASE POWER TERMINATED AT THE DISCONNECT IN THE CONTROL PANEL.
- (A) 1" FNPT AIR SUPPLY CONNECTION. 80-100 PSI, CLEAN, DRY, AIR REQUIRED, WITH LOCKING HANDLE VALVE ON SERVICE LINE.
- (W) 1" FNPT CITY WATER SUPPLY CONNECTION. 30 PSI REQUIRED, WITH LOCKING HANDLE VALVE ON SERVICE LINE.
- (I) 2" FNPT INFLUENT WATER INLET CONNECTION.
- (F) 2" MNPT EFFLUENT WATER DISCHARGE CONNECTION.

NOTE:
CONTROL PANEL, HOPPER, & LADDER
CAN BE LOCATED ON EITHER SIDE
OF THE CE 800.



CE 800

LAYOUT DRAWING