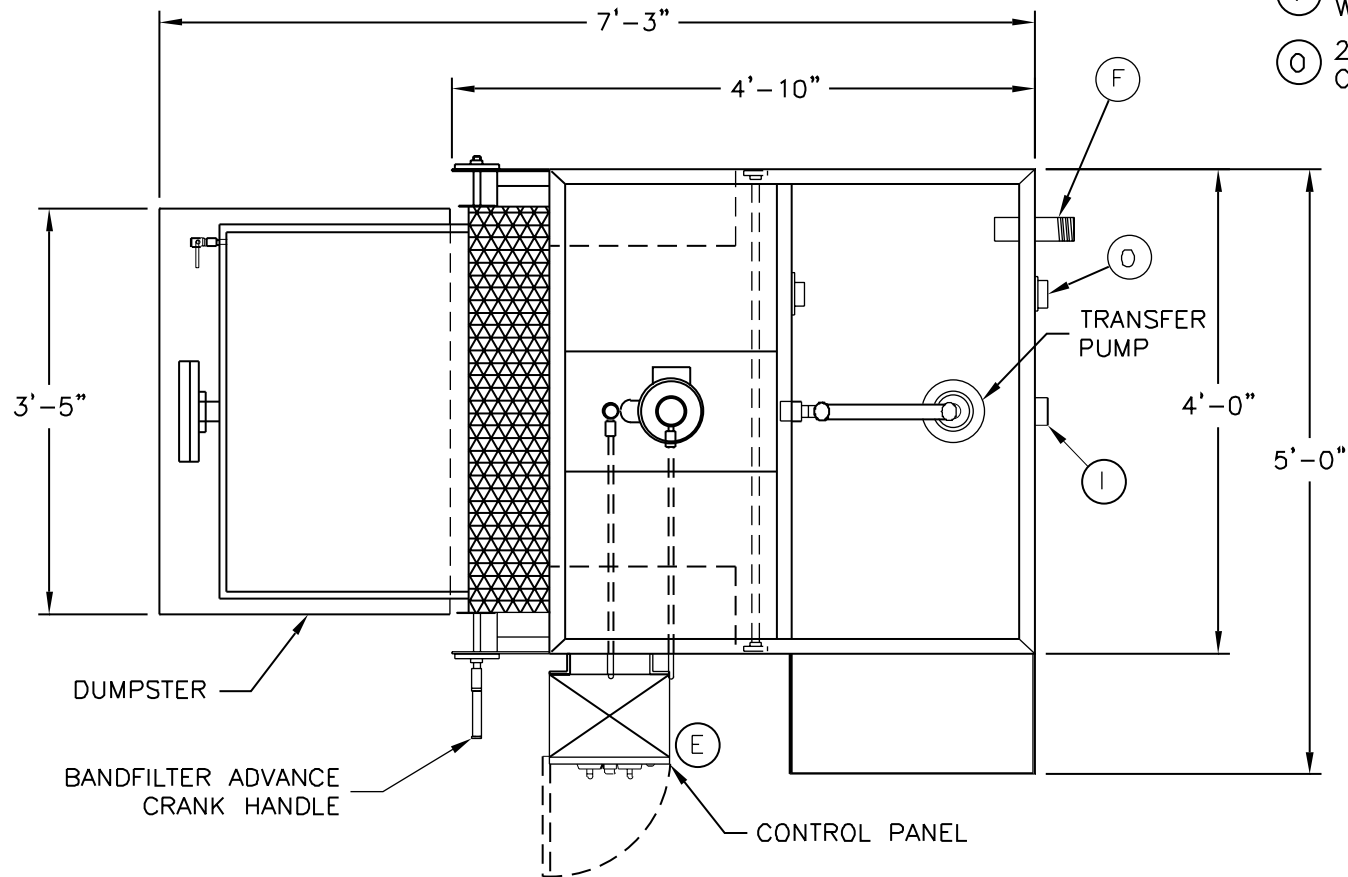


SERVICE REQUIREMENTS

- (E) 115 VAC, 20 AMP, GROUNDED, SINGLE PHASE POWER FOR CONTROL PANEL PLUG
- (F) 2" MNPT DISCHARGE TO SEWER CONNECTION
- (I) 2" FNPT INFLUENT WATER CONNECTION
- (O) 2" FNPT HOLDING TANK OVERFLOW CONNECTION



TT-125

LAYOUT DRAWING