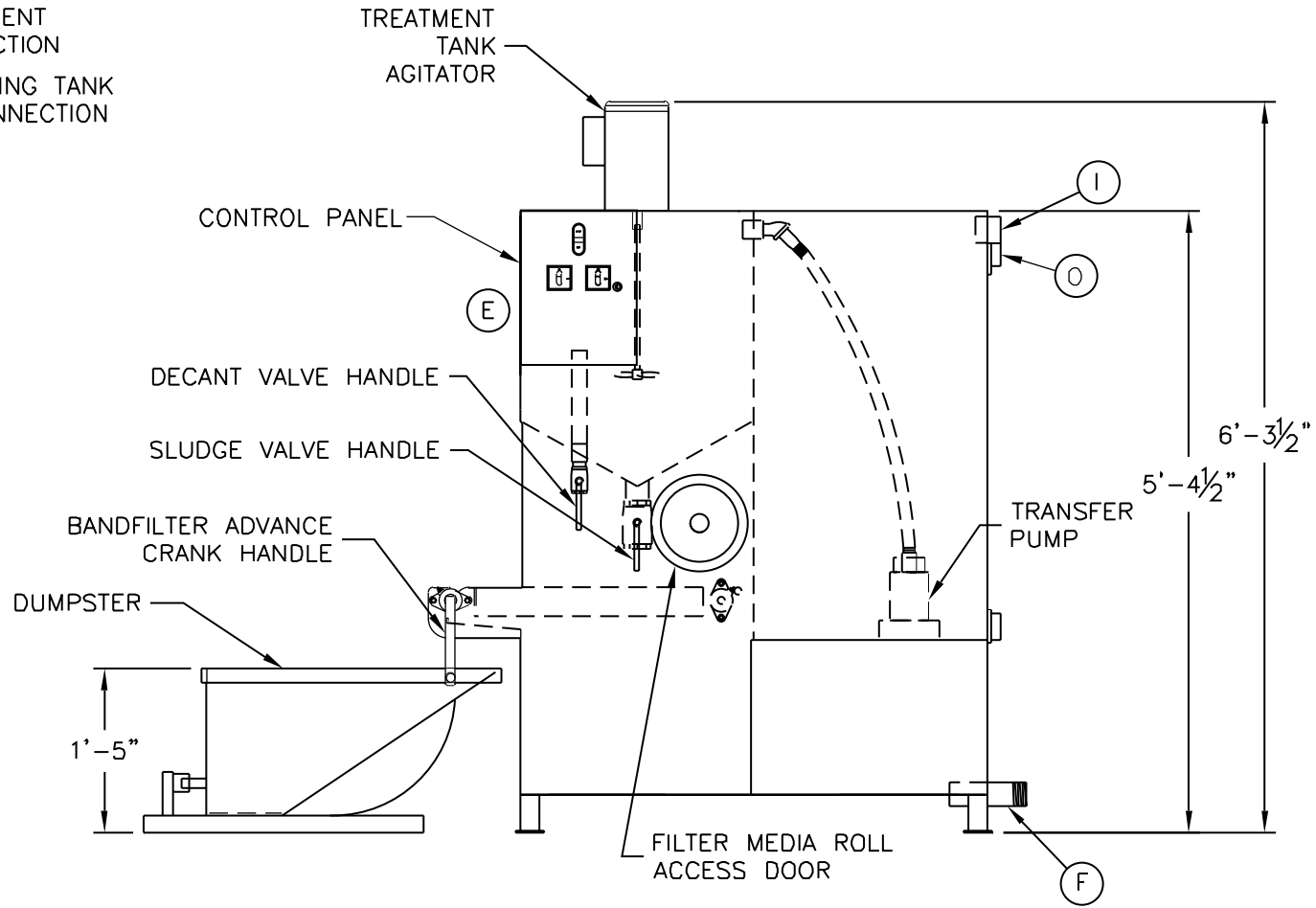


SERVICE REQUIREMENTS

- (E) 115 VAC, 20 AMP, GROUNDED,  
SINGLE PHASE POWER FOR  
CONTROL PANEL PLUG
- (F) 2" MNPT DISCHARGE  
TO SEWER CONNECTION
- (I) 2" FNPT INFLUENT  
WATER CONNECTION
- (O) 2" FNPT HOLDING TANK  
OVERFLOW CONNECTION



**TT-125**  
ELEVATION DRAWING